

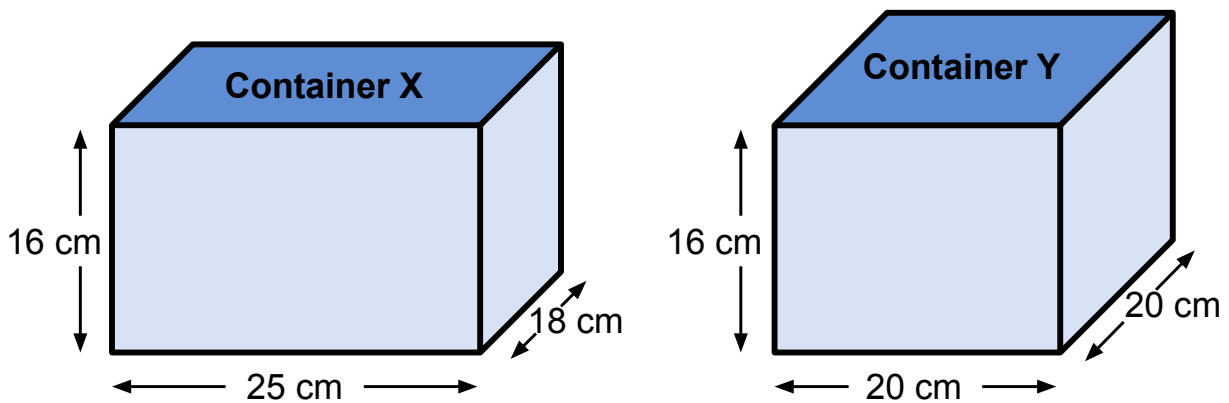


## Problem of the Week

### Problem A

### Storage Containers

Jillian has two plastic containers that are the same height. The dimensions of these containers are shown below:



She always seals her containers with a lid when she stores things.

- A) If Jillian filled each container with water, which container would hold more water? Justify your answer.
- B) Jillian has many wooden blocks that are cubes with side lengths of 4 cm. Which container would hold more blocks if the blocks had to lie flat in the container? Justify your answer.